



Innovative Technology

POWERING TRANSACTIONS AND INTERACTIONS

BV30

"The next generation compact bill acceptor"



- Attractive bezel illumination (RGB options)
- Exceptional value
- Enhanced sensing & security
- Ideal for low value transactions



FEATURES

- Improved optical & mechanical anti-strimming
- Improved note sensing - UV & reflective
- Exceptional value
- Proven field reliability
- Easy maintenance, free firmware updates, remote download SMART data compatible
- Faster note processing
- Attractive, compact design



BENEFITS

- Enhanced security
- Genuine note detection and protects against fraudulent notes
- A bill acceptor for the price of a coin mech
- Lowest cost of ownership
- Future proof
- Takes more cash
- Ideal for low value transactions



Innovative Technology

POWERING TRANSACTIONS AND INTERACTIONS

Technical Specification

Power

Requirements: 12V

Standby: 150mA

Running: 540mA

Peak: 1.5A

Bezel

72mm illuminated

Protocols

SSP

ccTalk

MDB

Pulse

Parallel

Binary

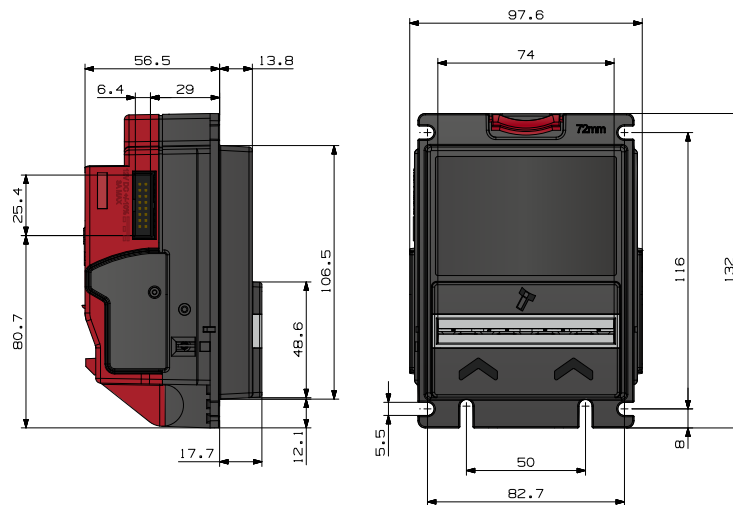
Serial

Interfaces

Open collector

MCBF

100,000



- Weight: 300g



Find Us

Head Office

Innovative Technology Ltd (UK)

Innovative Business Park

Derker Street

Oldham

OL1 4EQ



Telephone

+44 (0) 161 626 9999



Email

sales@innovative-technology.com