



**Innovative Technology**

POWERING TRANSACTIONS AND INTERACTIONS

## NV200

*"High volume, high security"*



- Exceptional bill validation
- Suitable for global applications
- Takes more cash
- Add on recycler available



### FEATURES

- High volume, high security bill validator
- Proven field reliability
- Easy maintenance, free firmware updates
- Lockable, removable cashbox which holds up to 1000 bills
- Exceptional performance - auto-centering technology straightens bills before reading
- Accepts bills up to 85 mm wide and standard industry barcode tickets



### BENEFITS

- Takes more cash
- Lowest cost of ownership
- Future proof - quick & easy updates via USB, data flash card, PC or handheld programmer
- Reduces operator collection costs
- Superior bill handling - maximises cash efficiency
- One product suitable for most global applications

## Technical Specification

### Power

Requirements: 12V  
Standby: 400mA  
Running: 1.5A  
Peak: 3A

### Protocols

SSP  
ccTalk  
MDB

### Interfaces

USB  
RS232  
Open Collector

### Bezel Options

82 / 85 mm width  
Metal bezel  
Self-aligning bezel  
Various illumination options

### Cashbox Options

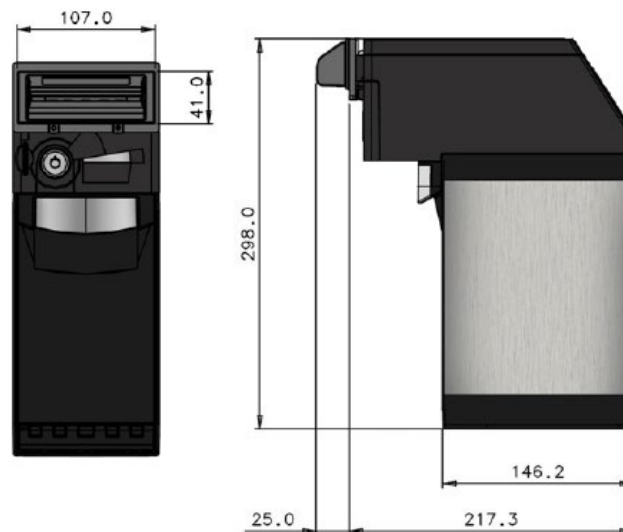
500 notes  
1000 notes

### Bill Dimensions

Width: 60 - 85 mm  
Length: 115 - 170 mm

### MCBF

200,000



- Weight: 3.0kg



### Find Us

#### Head Office

Innovative Technology Ltd (UK)  
Innovative Business Park  
Derker Street  
Oldham  
OL1 4EQ



### Telephone

+44 (0) 161 626 9999



### Email

[sales@innovative-technology.com](mailto:sales@innovative-technology.com)