



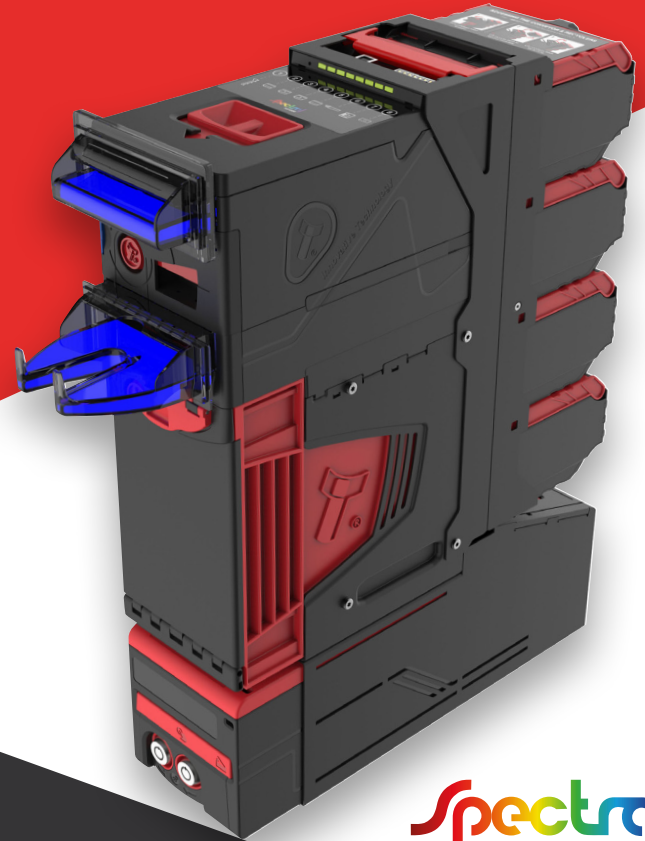
Innovative Technology

POWERING TRANSACTIONS AND INTERACTIONS

NV4000

Multi Bill Recycler

“Advanced, high volume mixed bill recycler”



Spectral
NV4000
MULTI BILL RECYCLER

- Accelerate customer throughput
- Significantly reduce expensive service calls
- Increase staff efficiencies with fewer refills



FEATURES

- Modular design, recycle up to 420 bills of 5 denominations
- Faster bill processing, optimise transaction times
- Exceptional street grade bill first time acceptance & rejection of stained bills
- On-board diagnostics for in-house troubleshooting. No tools required to access all bill routes
- Optional 300 bill secure replenishment cassette to auto float all recycling modules or use as a high volume single denomination recycler



BENEFITS

- Increase staff efficiencies with fewer refills
- Accelerate customer throughput & enhance experience
- Future proof your cash handling investment & protect revenue
- Significantly reduce external service calls & machine downtime
- Improve efficiency with automated float management



Technical Specification

Power

Requirements: 24V
Standby: 400mA
Running: 3A
Peak: 7A

Protocols

SSP

MCBF

100,000

Bezel

85mm width

Bill Dimensions

Accepts: Width: 60-85mm
Length: 115-165mm

Recycles: Width: 60-82mm

Interfaces

USB option Open collector RS232

Cashbox

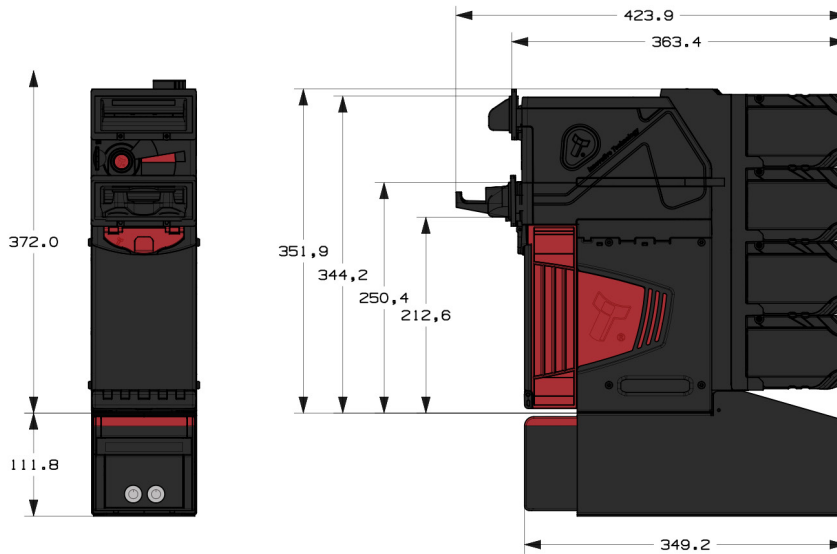
1000 bills

Total Recycling Capacity

420 mixed bills
(30 x 4 recycler modules,
300 bill replenishment cassette)

Communication

Direct USB



- Weight: 11kg



Find Us

Head Office

Innovative Technology Ltd (UK)
Innovative Business Park
Derker Street
Oldham
OL1 4EQ



Telephone

+44 (0) 161 626 9999



Email

sales@innovative-technology.com