



**Innovative Technology**

POWERING TRANSACTIONS AND INTERACTIONS

# Spectral Payout

*“Unrivalled mixed denomination recycler”*



- Superior mixed denomination banknote recycler
- 100% note image capture – highest spectral coverage
- Eliminates coin starvation
- Reduce operational collection costs



## FEATURES

- 80 note 'true' mixed denomination recycler - can store all denominations from a given currency
- Full spectral imaging sensors validate the authenticity of notes
- 99% first time acceptance of new and street grade notes
- Accepts notes up to 85mm wide & recycles notes up to 82mm wide
- Notes are transferable to the cashbox for easy collection
- Improved serviceability for easy maintenance, internal memory for data logging and free firmware updates



## BENEFITS

- Eliminates coin starvation & reduces the coin float levels required to keep machines operational
- Exceptional genuine note detection & protection against fraudulent notes
- Faster note processing and recycling, maximise cash efficiency
- One product suitable for global applications
- Reduces operator collection costs
- Best in class performance & future proof your investment



## Technical Specification

### Power

Requirements: 12V/24V

Standby: 400mA

Running: 3A

Peak: 5.5A

### Protocols

SSP

ccTalk

### Interfaces

USB option

Open collector

RS232

### Cashbox Options

500 notes

1000 notes

### Recycler Capacity

Up to 80 mixed notes

### Bezel Options

82/85mm width

Metal bezel

Various illumination options

### Note Dimensions

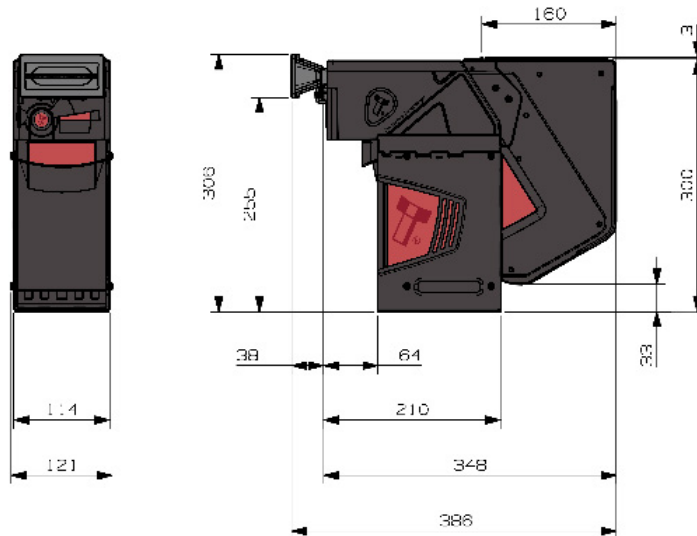
*Accepts:* Width: 60-85mm

Length: 115-170mm

*Recycles:* Width: 60-82mm

### MCBF

100,000



- Weight: 5.5kg



### Find Us

#### Head Office

Innovative Technology Ltd (UK)

Innovative Business Park

Derker Street

Oldham

OL1 4EQ



### Telephone

+44 (0) 161 626 9999



### Email

[sales@innovative-technology.com](mailto:sales@innovative-technology.com)